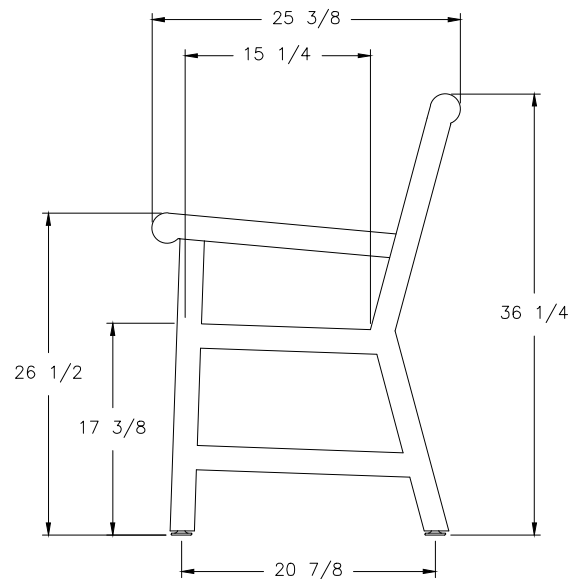


2



NOTES:

1. UNLESS OTHERWISE SPECIFIED, ALL DIMENSIONS ARE IN INCHES AND PER ASME Y14.5M-1994.
2. FINISH: POWDER COATING.
3. MATERIAL: SEAT/BACK & LEGS - ALUMINUM.
4. DO NOT SCALE DRAWING.

© Wabash Valley Manufacturing, Inc.

PROPRIETARY NOTICE

This document contains proprietary information owned by WABASH VALLEY MFG., INC. and may be used or reproduced only with the written consent from WABASH VALLEY MFG., INC. and is not to be used in any manner detrimental to the interests of WABASH VALLEY MFG., INC. and is protected under the United States Copyright Laws.

TOLERANCE:		PLASMA		TITLE	
±1/16	≤ ±1*	±1/32	DET	REQD	MATERIAL
CHGD BY:		OWN BY:		YORKTOWN CHAIR, ARCHED BACK, SLAT, PORT/SM	
APVD BY:		SCALE	SHEET	OF	DR. NO.
		1/8	1	1	Y09113C

2	1	LEG	16102U
1	1	BENCH	16099U
CP NUMBER / DESCRIPTION			