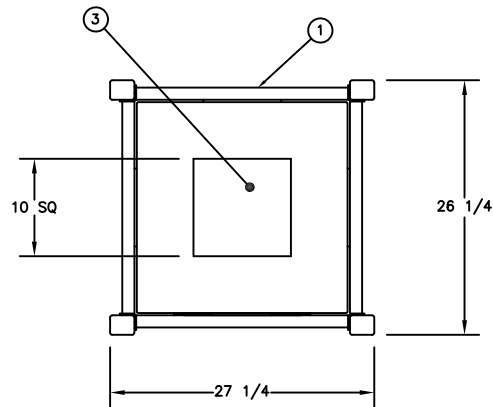
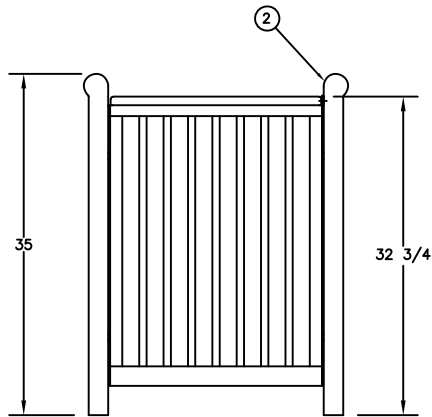


Y03F33C



NOTES:

1. UNLESS OTHERWISE SPECIFIED, ALL DIMENSIONS ARE IN INCHES AND PER ASME Y14.5M-1994.
2. FINISH: POWDER COATING.
3. DO NOT SCALE DRAWING.

3	1	LINER	RPL32
2	1	LEG	16101AU
1	1	RECEPT	16101U

RECEPTACLE W/LINER SLAT, PORT/S.M.

Y03F33C

DR-PROTO Proto3.dwg

1/8

1

1