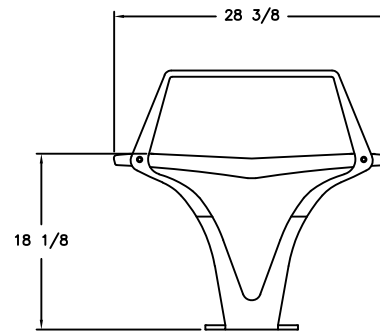
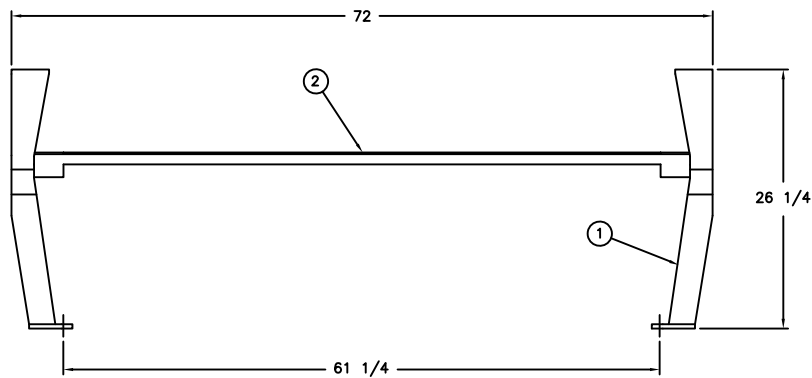
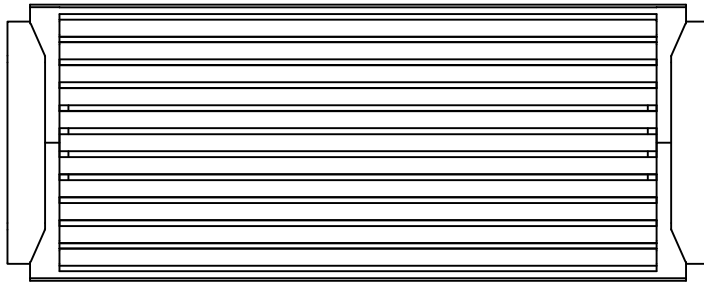


W01419S



NOTES:

1. UNLESS OTHERWISE SPECIFIED, ALL DIMENSIONS ARE IN INCHES AND PER ASME Y14.5M-1994.
2. FINISH: POWDER COATING.
3. MATERIAL: BENCH - ALUMINUM; LEGS - ALUMINUM CAST.
4. DO NOT SCALE DRAWING.

2	1	BENCH	16110U
1	2	LEG	4000

WOODRIDGE 6' BENCH, W/O BACK-W/ARMS, SEAT, S.M.

1/8 1 1 W01419S

DR-PROTO/Proto3.dwg