
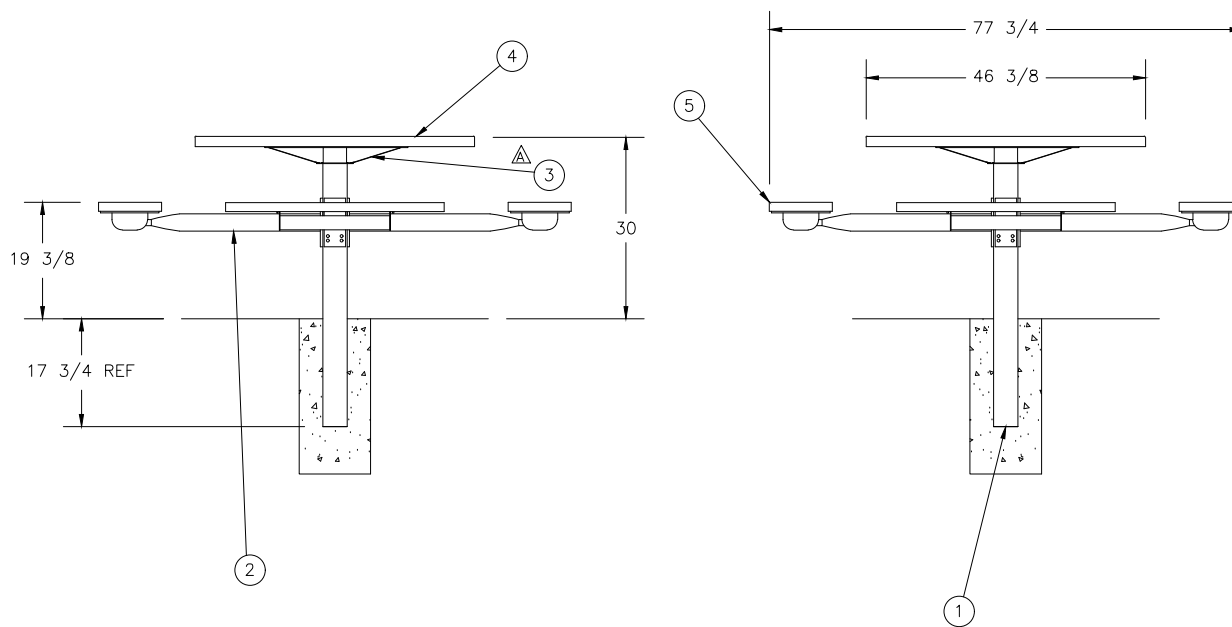



# SG230D

REVISIONS	
	UPDATED BRITE 7464. (REF: ECN-001398)
	ECN-001726



**NOTES:**


1. UNLESS OTHERWISE SPECIFIED, ALL DIMENSIONS ARE IN INCHES AND PER ASME Y14.5M-1994.
2. ALL DIMENSIONS AFTER PLASTISOL COATING.
3. DO NOT SCALE DRAWING.

 **Wabash Valley Manufacturing, Inc.**

**PROPRIETARY NOTICE**

This document contains proprietary information owned by WABASH VALLEY MFG., INC. and may be used or reproduced only with the written consent from WABASH VALLEY MFG., INC. and is not to be used in any manner detrimental to the interests of WABASH VALLEY MFG., INC. and is protected under the United States Copyright Laws.



5	4	SEAT	7530R
4	1	TOP	7504R
3	1	FRAME	7464
2	4	FRAME	7318A
1	1	POST	7306
DET	REQD	MATERIAL	CP NUMBER / DESCRIPTION
		TITLE	46" SQ. TABLE - 4 SEAT, X.M.
		SCALE	1/16
SHEET 1 OF 1		SIZE	C
		DR. NO.	SG230D

TOLERANCE:		PLASMA	
$\pm 1/16$	$\leq \pm 1^*$	$\pm 1/32$	
CHWD BY: C. DOTSON 2-24-20	APVD BY: M. SISCO 2-24-20	DWN BY: D. REICHARD 2-24-20	