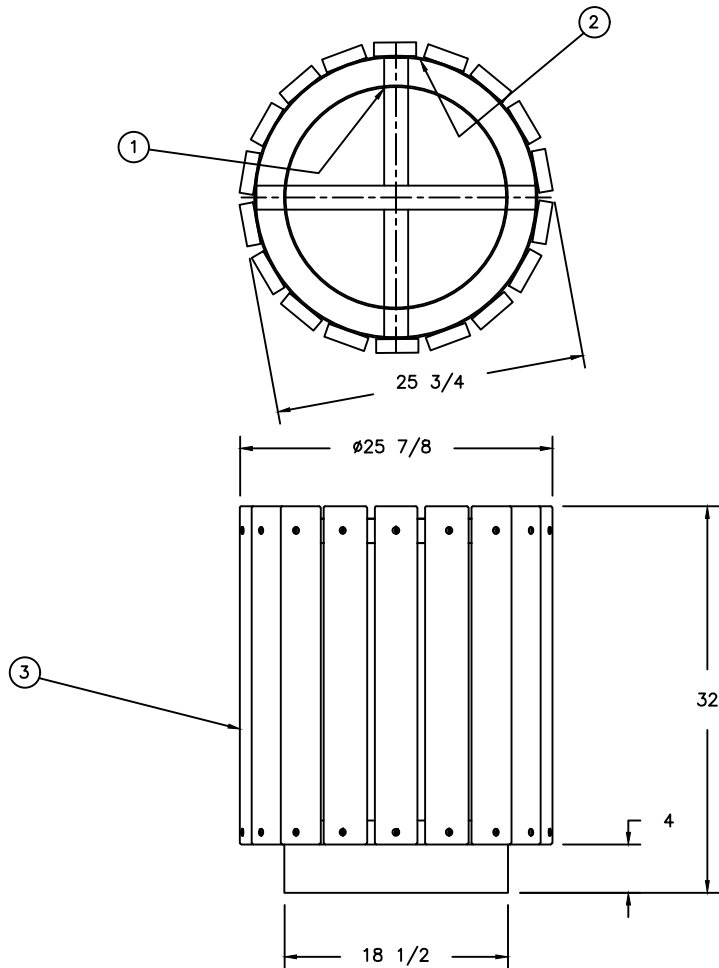


REVISIONS	
△	INITIAL RELEASE
H.GABRIEL ECN-10975	



**NOTES:**


1. UNLESS OTHERWISE SPECIFIED, ALL DIMENSIONS ARE IN INCHES AND PER ASME Y14.5M-1994.
2. FINISH: POWDER COATING - FRAME; RECYCLED PLASTIC LUMBER - PLANKS.
3. DO NOT SCALE DRAWING.
4. FINISHED PART TO BE FREE OF ALL BURRS AND SHARP EDGES.
5. PART DRAWN AND DIMENSIONED IN THE FINAL FORMED SHAPE.

© Wabash Valley Manufacturing, Inc.

**PROPRIETARY NOTICE**

This document contains proprietary information owned by WABASH VALLEY MFG., INC. and may be used or reproduced only with the written consent from WABASH VALLEY MFG., INC. and is not to be used in any manner detrimental to the interests of WABASH VALLEY MFG., INC. and is protected under the the United States Copyright Laws.

3	18	PLANK	CP5909
2	1	FRAME	6515
1	1	BASE	6513

TOLERANCE	PLANK	DET	REQD	MATERIAL	CP NUMBER / DESCRIPTION
±1/16	≤ ±1°	±1/32			
		<small>DRW BY:</small> T. MERRITT 19SEP24	<small>DRW BY:</small> H. GABRIEL 19SEP24	<small>TITLE</small> 32 Gal Receptacle W/Liner Rcycl LmbrPort	
<small>APVD BY:</small> C. WHITLOCK 19SEP24	<small>SCALE</small> 1/16	<small>SHEET</small> 1 <small>OF</small> 1	<small>SIZE</small> C	<small>DR. NO.</small> RV300G	